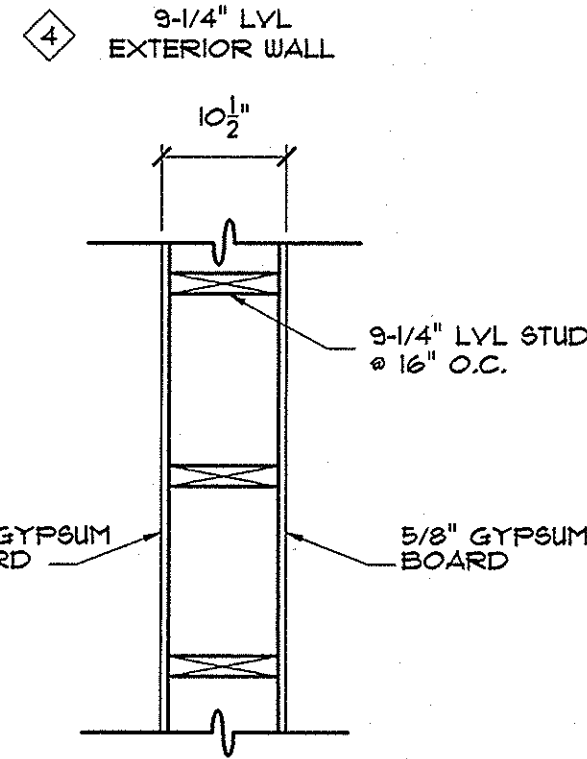
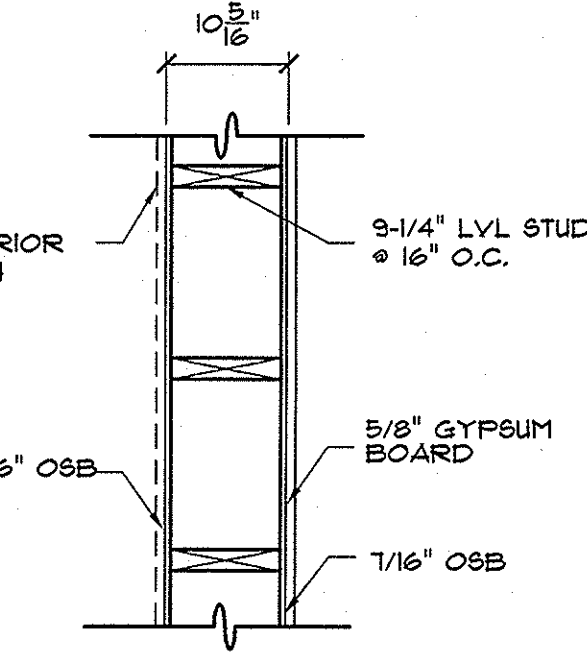
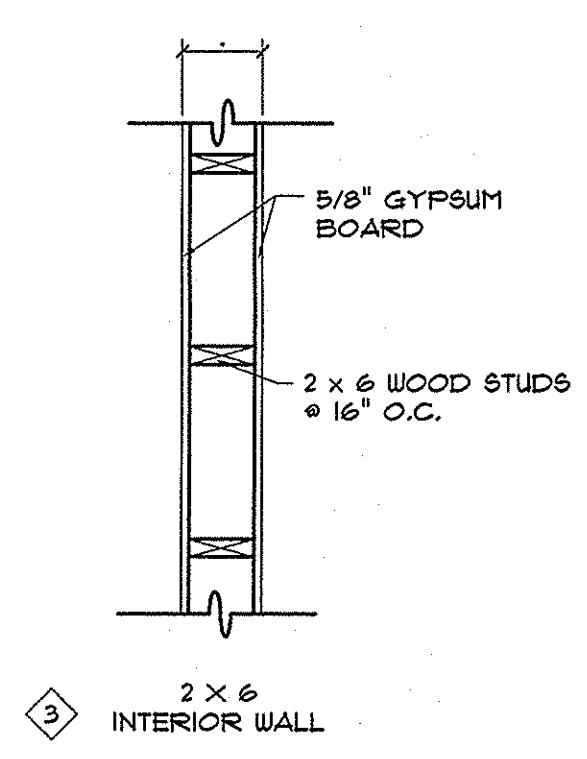
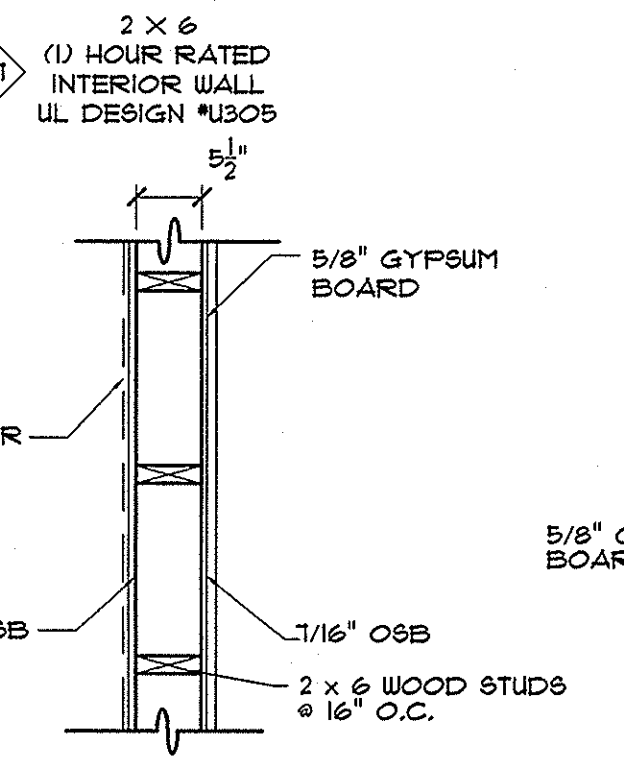
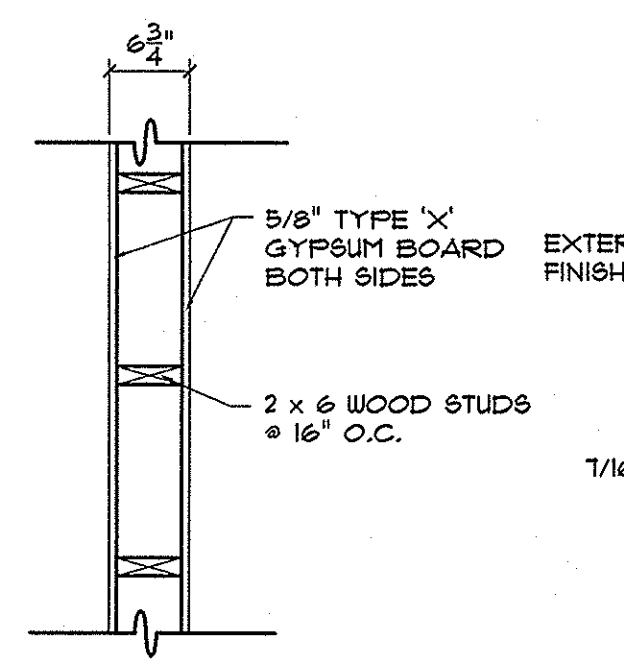
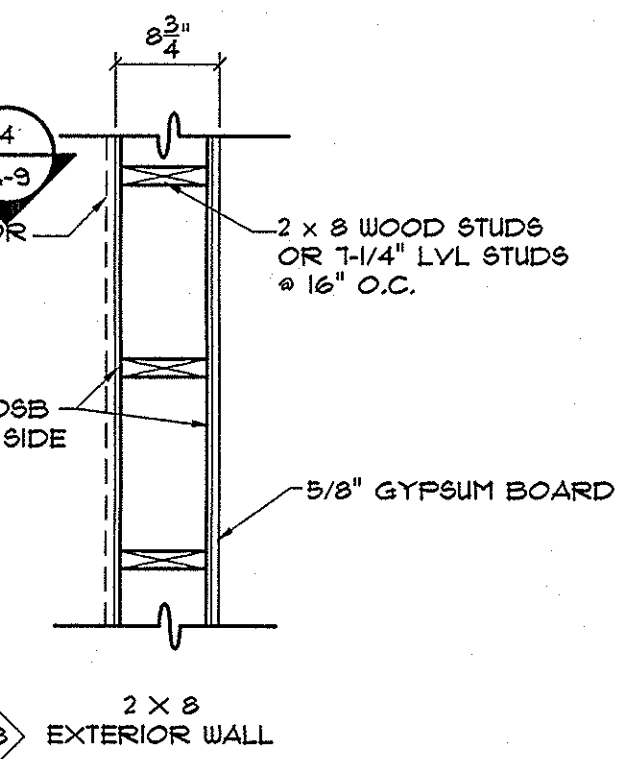
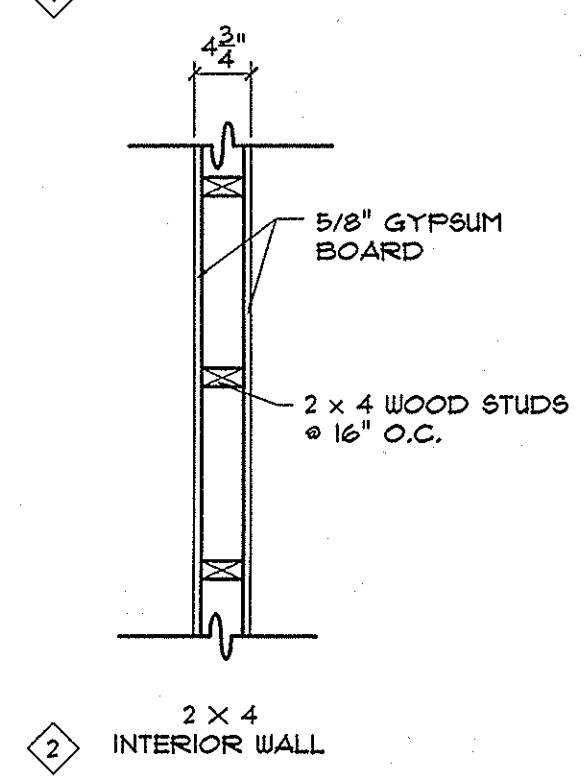
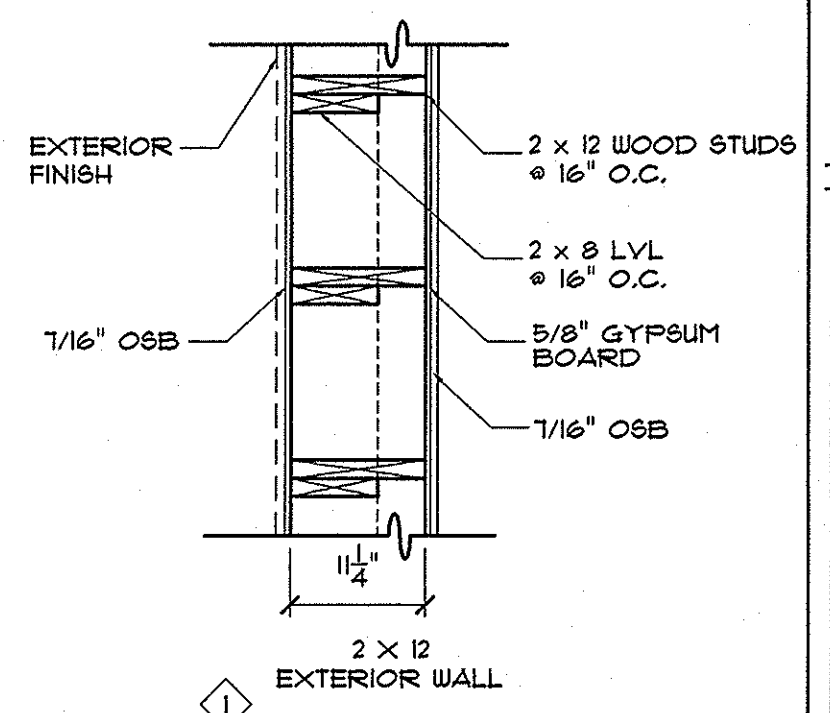


FIRST FLOOR PLAN

SCALE: 1/8" = 1'-0"

NOTE : PROVIDE 1/16" OSB EACH SIDE OF EXTERIOR WALL



REVISIONS:	NUMBER	DESCRIPTION
INITIALS		
DATE		

NOTICE: THESE DRAWINGS ARE PROVIDED BY BARDEN CHURCH BUILDING SERVICES AS A SERVICE TO THE CLIENT AND ARE NOT TO BE CONSIDERED COMPLETE FOR FINAL COSTING OR CONSTRUCTION. ALL FEDERAL, STATE, OR LOCAL APPROVALS ARE GRANTEE'S RESPONSIBILITY. THESE APPROVALS REST FULLY WITH THE CLIENT AND/OR THEIR CONTRACTOR.

IMPORTANT NOTICE
 THESE DRAWINGS ARE PROVIDED BY BARDEN CHURCH BUILDING SERVICES AS A SERVICE TO THE CLIENT AND ARE NOT TO BE CONSIDERED COMPLETE FOR FINAL COSTING OR CONSTRUCTION. ALL FEDERAL, STATE, OR LOCAL APPROVALS ARE GRANTEE'S RESPONSIBILITY. THESE APPROVALS REST FULLY WITH THE CLIENT AND/OR THEIR CONTRACTOR.

INDEPENDENT DEALER / CONSTRUCTION MANAGER
 PRO-BUILT LLC
 KEN VARGA

DATE: 03/14/05
 SCALE: AS SHOWN
 DRAWN BY: VA

CLIENT / PROJECT TITLE: CROSSROADS CHRISTIAN CHURCH ADDITION
 PROJECT LOCATION: ST. LEONARD, MD
 DRAWING TITLE: FIRST FLOOR PLAN



P.O. Box 310 Middleport, New York 14105
 800-724-0141 • Fax 716-735-3752 • 716-735-3752

PROJECT NO:
2040.04

PROCESSING NO:
 DWG NO:

A-4